

ICV 2,5/ 2-G-5,08

Order No.: 1785942

The figure shows a 10-position version of the product

<http://eshop.phoenixcontact.de/phoenix/treeViewClick.do?UID=1785942>Header, nominal current: 12 A, rated voltage: 320 V, pitch: 5.08 mm,
number of positions: 2, mounting type: Soldering

Commercial data

EAN	4017918042097
Pack	50 Pcs.
Customs tariff	85366990
Weight/Piece	0.003856 KG
Catalog page information	Page 233 (CC-2007)

Product notes

WEEE/RoHS-compliant since:
01/01/2003

<http://www.download.phoenixcontact.com>
Please note that the data given here has been taken from the online catalog. For comprehensive information and data, please refer to the user documentation. The General Terms and Conditions of Use apply to Internet downloads.

Technical data

Dimensions / positions

Pitch	5.08 mm
Dimension a	5.08 mm
Number of positions	2
Pin dimensions	1,3 x 0,7 mm
Hole diameter	1.4 mm

Technical data

Insulating material group	I
Rated surge voltage (III/3)	4 kV
Rated surge voltage (III/2)	4 kV
Rated surge voltage (II/2)	4 kV
Rated voltage (III/2)	320 V
Rated voltage (II/2)	630 V
Connection in acc. with standard	EN-VDE
Nominal current I_N	12 A
Nominal voltage U_N	320 V
Maximum load current	12 A
Insulating material	PA
Inflammability class acc. to UL 94	V0

Certificates / Approvals

Approval logo



CSA

Nominal voltage U_N	300 V
Nominal current I_N	10 A

CUL

Nominal voltage U_N	300 V
Nominal current I_N	10 A

UL

Nominal voltage U_N	300 V
Nominal current I_N	10 A
Certification	CB, CSA, CUL, GOST, UL, VDE-PZI

Accessories

Item	Designation	Description
Assembly		
1808353	FLRP/ICV 80	Pair of guide rails, is inserted into the groove ICV/...G, height: 86 mm, hole diameter: 3.4 mm

Plug/Adapter

1734634	CP-MSTB	Coding profile, is inserted into the slot on the plug or inverted header, red insulating material
0201744	MPS-MT	Test plug, consisting of: Metal part for 2.3 mm diameter socket hole
0201647	RPS	Reducing plug, for transition from 4 mm diameter test plug socket, insulation: gray

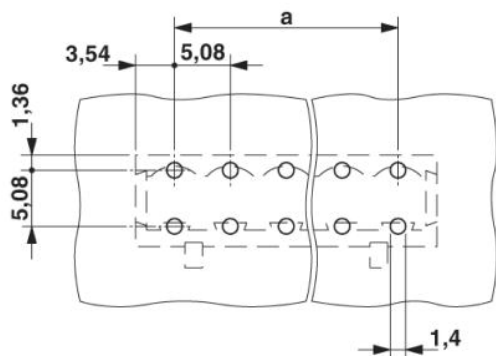
Additional products

Item	Designation	Description
General		
1872460	A-MSTBVA 2,5/ 2-G-5,08	Header, nominal current: 12 A, rated voltage: 250 V, pitch: 5.08 mm, no. of positions: 2, mounting: Mounting rail
0707248	DFK-MSTB 2,5/ 2-G-5,08	Header, nominal current: 12 A, rated voltage: 320 V, pitch: 5.08 mm, no. of positions: 2, mounting: Direct mounting
1898839	DFK-MSTBA 2,5/ 2-G-5,08	Header, nominal current: 12 A, rated voltage: 250 V, pitch: 5.08 mm, no. of positions: 2, mounting: Soldering
1899139	DFK-MSTBVA 2,5/ 2-G-5,08	Header, nominal current: 12 A, rated voltage: 250 V, pitch: 5.08 mm, no. of positions: 2, mounting: Soldering
1880300	EMSTBA 2,5/ 2-G-5,08	Header, nominal current: 12 A, rated voltage: 250 V, pitch: 5.08 mm, no. of positions: 2, mounting: press in
1859519	EMSTBVA 2,5/ 2-G-5,08	Header, nominal current: 12 A, rated voltage: 200 V, pitch: 5.08 mm, no. of positions: 2, mounting: Press in
1873359	FKIC 2,5/ 2-ST-5,08	Plug component, nominal current: 12 A, rated voltage: 320 V, pitch: 5.08 mm, no. of positions: 2, type of connection: Spring-cage connection
1786174	IC 2,5/ 2-ST-5,08	Plug component, nominal current: 12 A, rated voltage: 250 V, pitch: 5.08 mm, no. of positions: 2, type of connection: Screw connection
1823846	ICC 2,5/ 2-STZ-5,08	Plug component, nominal current: 12 A, rated voltage: 250 V, pitch: 5.08 mm, no. of positions: 2, type of connection: Crimp connection
1762062	MDSTB 2,5/ 2-G-5,08	Header, nominal current: 10 A, rated voltage: 250 V, pitch: 5.08 mm, no. of positions: 2, mounting: Soldering

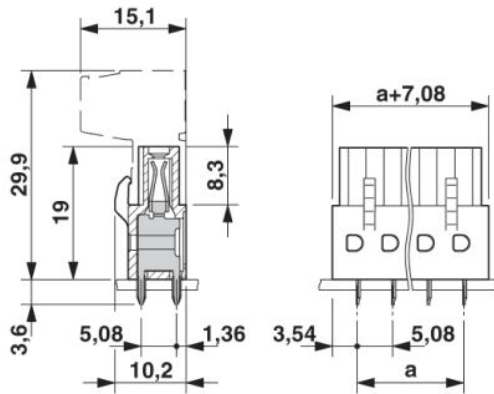
1842063	MDSTBA 2,5/ 2-G-5,08	Header, nominal current: 10 A, rated voltage: 250 V, pitch: 5.08 mm, no. of positions: 2, mounting: Soldering
1763074	MDSTBV 2,5/ 2-G-5,08	Header, nominal current: 10 A, rated voltage: 250 V, pitch: 5.08 mm, no. of positions: 2, mounting: Soldering
1845332	MDSTBVA 2,5/ 2-G-5,08	Header, nominal current: 10 A, rated voltage: 250 V, pitch: 5.08 mm, no. of positions: 2, mounting: Soldering
1802430	MDSTBW 2,5/ 2-G-5,08	Header, nominal current: 10 A, rated voltage: 250 V, pitch: 5.08 mm, no. of positions: 2, mounting: Soldering
1759017	MSTB 2,5/ 2-G-5,08	Header, nominal current: 12 A, rated voltage: 250 V, pitch: 5.08 mm, no. of positions: 2, mounting: Soldering
1770711	MSTB 2,5/ 2-G-5,08-LA	Header, nominal current: 12 A, rated voltage: 250 V, pitch: 5.08 mm, no. of positions: 2, mounting: Soldering
1757242	MSTBA 2,5/ 2-G-5,08	Header, nominal current: 12 A, rated voltage: 250 V, pitch: 5.08 mm, no. of positions: 2, mounting: Soldering
1902741	MSTBA 2,5/ 2-G-5,08 THT	Header, nominal current: 12 A, rated voltage: 250 V, pitch: 5.08 mm, no. of positions: 2, mounting: SMD/THT
1770944	MSTBA 2,5/ 2-G-5,08-LA	Header, nominal current: 12 A, rated voltage: 250 V, pitch: 5.08 mm, no. of positions: 2, mounting: Soldering
1758018	MSTBV 2,5/ 2-G-5,08	Header, nominal current: 12 A, rated voltage: 250 V, pitch: 5.08 mm, no. of positions: 2, mounting: Soldering
1755736	MSTBVA 2,5/ 2-G-5,08	Header, nominal current: 12 A, rated voltage: 250 V, pitch: 5.08 mm, no. of positions: 2, mounting: Soldering
1902819	MSTBVA 2,5/ 2-G-5,08 THT	Header, nominal current: 12 A, rated voltage: 250 V, pitch: 5.08 mm, no. of positions: 2, mounting: SMD/THT
1735882	MSTBW 2,5/ 2-G-5,08	Header, nominal current: 12 A, rated voltage: 250 V, pitch: 5.08 mm, no. of positions: 2, mounting: Soldering
1769463	SMSTB 2,5/ 2-G-5,08	Header, nominal current: 12 A, rated voltage: 250 V, pitch: 5.08 mm, no. of positions: 2, mounting: Soldering
1767371	SMSTBA 2,5/ 2-G-5,08	Header, nominal current: 12 A, rated voltage: 250 V, pitch: 5.08 mm, no. of positions: 2, mounting: Soldering

Drawings

Drilling diagram



Dimensioned drawing



Address

PHOENIX CONTACT GmbH & Co. KG
Flachsmarktstr. 8
32825 Blomberg, Germany
Phone +49 5235 3 00
Fax +49 5235 3 41200
<http://www.phoenixcontact.de>



© 2008 Phoenix Contact
Technical modifications reserved;